

# 101

C O P E N H A G E N



## **Big Foot Stool - Desert**

Designed by

Kristian Sofus Hansen &  
Tommy Hyldahl

# Big Foot Stool - Desert

---

## Product Description

The Big Foot Stool is more than just a seat - it is a bold expression of style and creativity. Inspired by the iconic 1970s upholstery movement, its thick cylindrical legs and geometric form exude confidence and charm. Whether used as an extra seat that moves effortlessly wherever needed or as a sculptural centrepiece that commands attention, this versatile piece transforms any space into a sanctuary of comfort and design.

Upholstered in 100% wool velvet, the fabric brings a richly textured surface that shifts gently with the light, creating subtle depth and movement. Soft and inviting to the touch, it combines natural warmth and resilience with a refined character suited to both private interiors and high-use environments.

In Desert, a soft sandy brown with golden and beige undertones, it speaks softly of sun-baked clay, weathered stone, and the light beige dust of long-traveled paths. Warm and grounding, it holds the stillness of wide skies and the slow rhythm of heat and wind moving across the land.

## Designer Description

Tommy Hyldahl and Kristian Sofus Hansen intertwine their distinct sensibilities to create designs where storytelling, materiality, and timeless form meet in quiet harmony.

With a background in fashion, Tommy brings an intuitive eye for trends, colors, and textures. His process is one of layering histories, blending details and references from past design periods and reimagining them into something fresh and contemporary. Each collection unfolds as a narrative, evolving from concept to creation, with every element contributing to a greater story.

Kristian, who has lived and studied in Japan, seeks to unite Japanese aesthetics with Danish design, creating a characteristic twist on simplicity itself. His work is defined by the search for subtle, original details that elevate each piece with a unique signature. Drawing inspiration from art and sculpture, his creative process unfolds in new and exciting ways, always striving to craft designs that are both functional and timeless.

Together, they craft design that transcends time, poetic yet practical, expressive yet enduring.



# Big Foot Stool - Desert

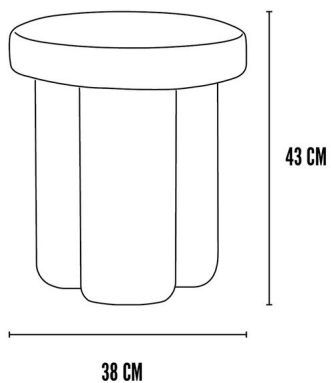
---

## Main

SKU	263024	Product Family	Big Foot
Product name	Big Foot Stool 43" Desert	Color	Desert
Product Type	Stool	Size	Regular
		Unit	Piece

## Logistics

EAN number	4251501416043	Package - CBM	0.110
Package height in cm	50.00	Package - Weight KG	7.500
Package width in cm	47.00	Tariff Code No	9401610000
Package length in cm	47.00	Country of origin	China
Suitable for Courier	Yes	Quantity of Inner Boxes	1



## Big Foot Stool - Desert

---

### Product

Materials	Velvet	Net weight in kg	6.3
Item Height in cm	43.00	Space Suitability	
Item width in cm	38.00	Strength Test	N/A
Item length in cm	38.00	FSC Wood	N/A

### Upholstery

Fabric	W063	Cigarette Test - CAL-117
Martindale	50.000	Cigarette Test - EN 1021-1
Colour Fastness to Light	4	Cigarette Test - BS5852 Part 1
Pilling		Match Flame Test - EN 1021-2
Oeko Tex	Yes	Ignition Source 5 (Crib 5) - BS 5852 Part 2
Fire Test Foam		NF P92-507 - Class M1

## Big Foot Stool - Desert

---

### Family Description Text

In Japanese, Sunao means honesty. It is a word that holds more than truthfulness; it carries the spirit of living with clarity, humility, and respect for the natural world. The Sunao Collection is born from this philosophy, an exploration of how simple forms and honest materials can create vessels that feel both timeless and alive.

The inspiration lies in the dialogue between nature and craft. Each vase and plant pot is shaped to frame what it holds, yet never overshadows it. The smooth surface speaks of calm refinement, like the stillness of a quiet morning, while the Beehive texture, cast from shoreline shellfish, celebrates imperfection, rhythm, and the raw poetry of nature.

Every piece is hand painted, carrying subtle variations that make it one of a kind, echoing the Japanese belief that beauty is found in uniqueness and quiet detail. Just as no leaf, branch, or wave is ever identical, no Sunao vessel is the same.

Whether standing with flowers, branches, or greenery, or existing in sculptural silence, Sunao becomes more than an object. It is a companion to daily life, a reminder of honesty in design and in living, where simplicity allows nature to take centre stage.

### Color Description

Desert is the quiet warmth of sunlit earth. It rests in a soft, sandy brown with gentle golden and beige undertones, like wind-shaped dunes and pale soil warmed by endless light. The color carries the calm of open landscapes, where the air shimmers and the horizon stretches far beyond the eye.

It speaks softly of sun-baked clay, weathered stone, and the light beige dust of long-traveled paths. Warm and grounding, Desert holds the stillness of wide skies and the slow rhythm of heat and wind moving across the land

# Big Foot Stool - Desert

---

## Maintenance Guide Description

Velvet adds softness, depth, and elegance to furniture, and with gentle care it will maintain its rich appearance for many years. To keep the fabric looking fresh, lightly brush the surface with a soft upholstery brush or cloth in the direction of the pile. This helps maintain the velvet's natural sheen and prevents the fibers from flattening.

Dust can be removed with a vacuum cleaner using a soft brush attachment on a low setting. In case of spills, act quickly and gently blot the area with a clean cloth. Avoid rubbing, as this can push the stain deeper into the fibers. Minor marks can often be treated with a slightly damp cloth and left to air dry naturally.

Pressure marks from use can be softened by lightly steaming the fabric from a distance and gently brushing the fibers back into place once dry. To preserve the color and texture, keep velvet furniture away from prolonged direct sunlight and rotate cushions occasionally to ensure even wear.

Warnings: Avoid harsh chemicals, strong detergents, or abrasive brushes, as these can damage the velvet fibers. Do not soak the fabric or apply excessive water. Always test any cleaning method on a small, hidden area first. For deeper cleaning or persistent stains, professional upholstery cleaning is recommended to protect the fabric's texture and finish.

## Materials Description

Velvet is a richly textured upholstery fabric crafted from 100% wool, valued for its depth, softness, and natural elegance. Its dense pile creates a smooth, velvety surface that shifts gently with the light, giving the material a sense of depth and movement. When touched, the fabric feels soft and inviting, while the natural qualities of wool add warmth, resilience, and a refined character.

The surface catches and reflects light differently depending on the direction of the pile, creating subtle variations that enhance the richness of the color. Despite its soft and refined feel, the fabric is strong and highly durable, making it well suited for furniture in both private interiors and high use environments such as hotels, lounges, and public spaces.

Soft yet structured, luminous yet understated, wool velvet brings warmth, texture, strength, and a sense of timeless sophistication to both contemporary and classic interiors.